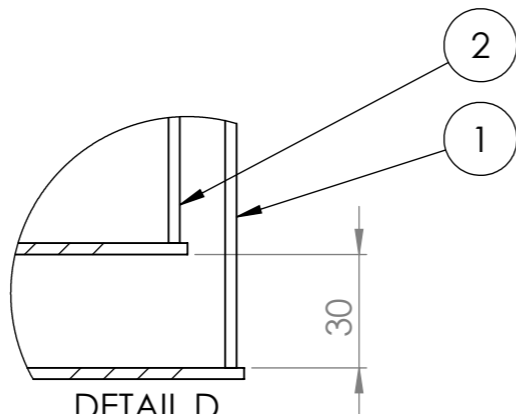
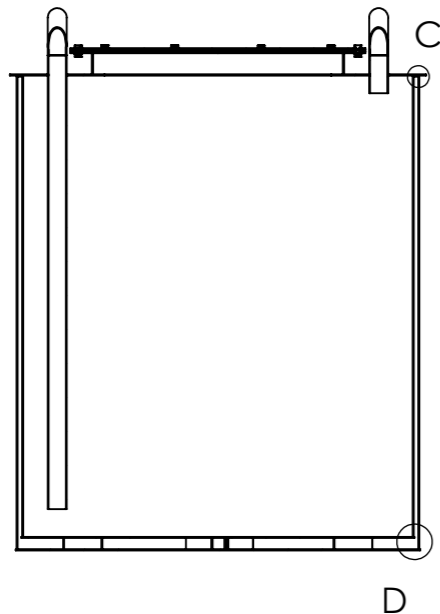
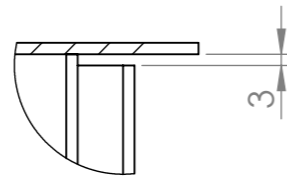
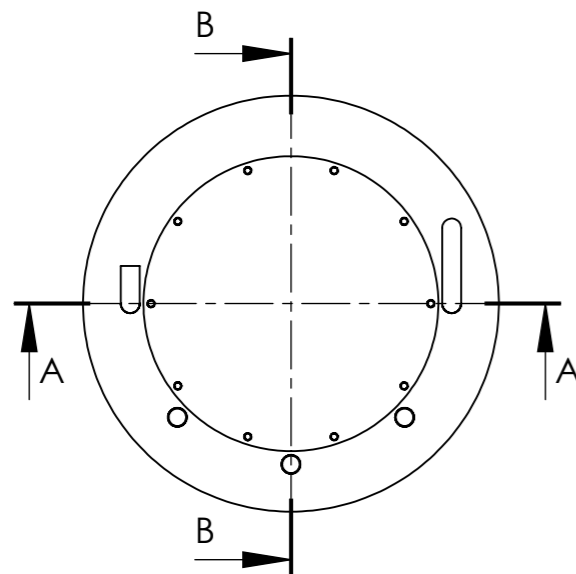


SECTION A-A
SCALE 1 : 20

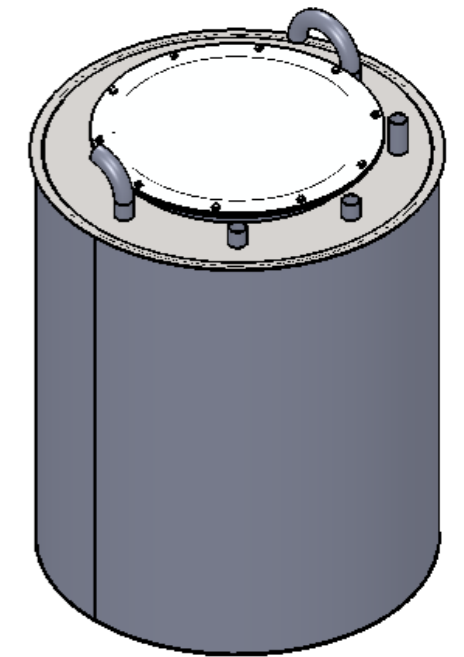
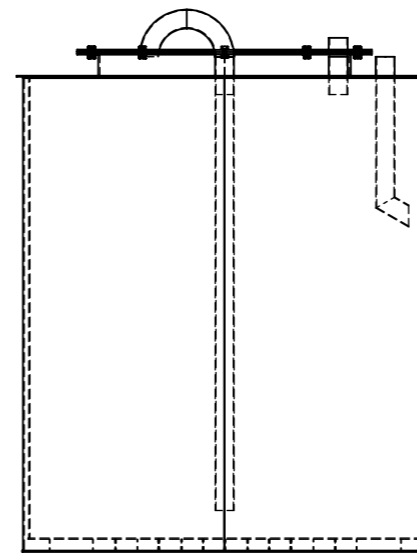
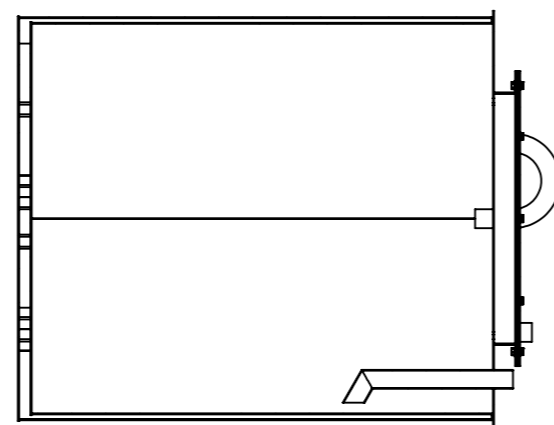
DETAIL C
SCALE 1 : 2



DETAIL D
SCALE 1 : 2



SECTION B-B
SCALE 1 : 20



ITEM NO.	PART NUMBER	DESCRIPTION	QTY.
1	YtterCistern 1000Liter		1
2	InnerCistern 1000Liter		1

UNLESS OTHERWISE SPECIFIED: DIMENSIONS ARE IN MILLIMETERS		FINISH:	DEBUR AND BREAK SHARP EDGES	DO NOT SCALE DRAWING	REVISION
SURFACE FINISH:					
TOLERANCES:					
LINEAR:					
ANGULAR:					
DRAWN	NAME	SIGNATURE	DATE	TITLE:	
CHK'D				Sammanställning	
APPV'D					
MFG					
Q.A					
			MATERIAL:	DWG NO.	Cistern 1000Liter
			WEIGHT:	SCALE:1:1	A3
					SHEET 1 OF 4