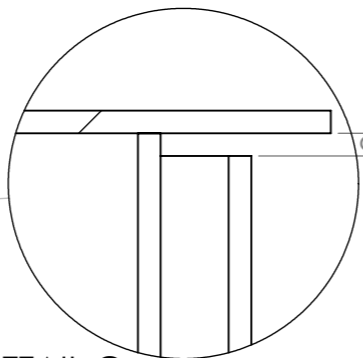
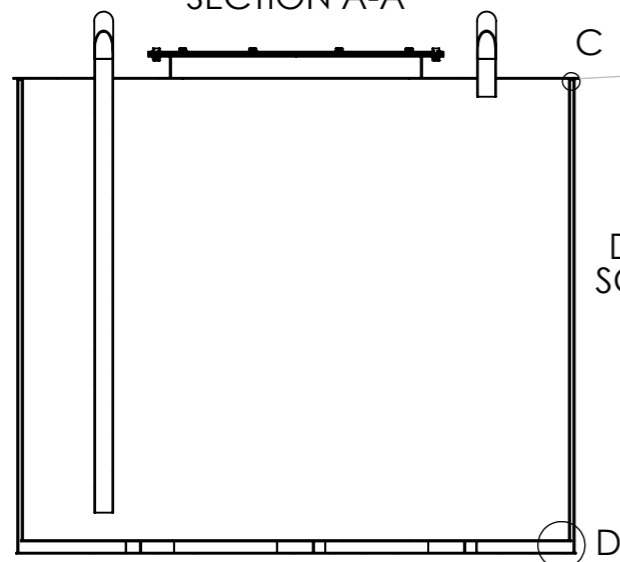
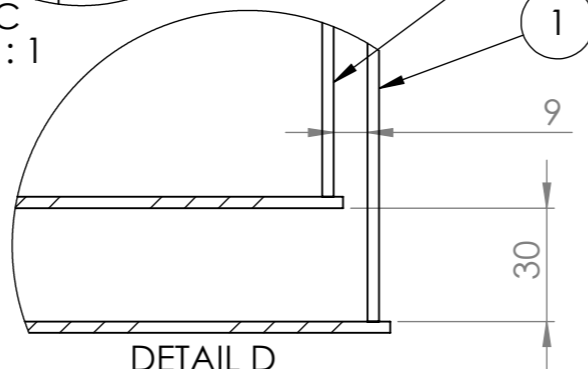


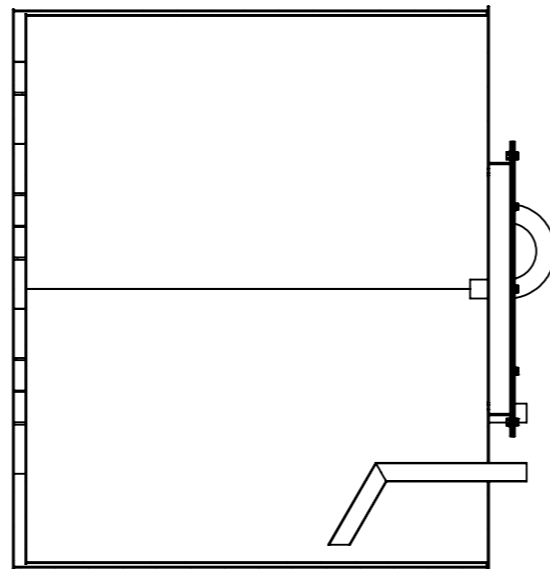
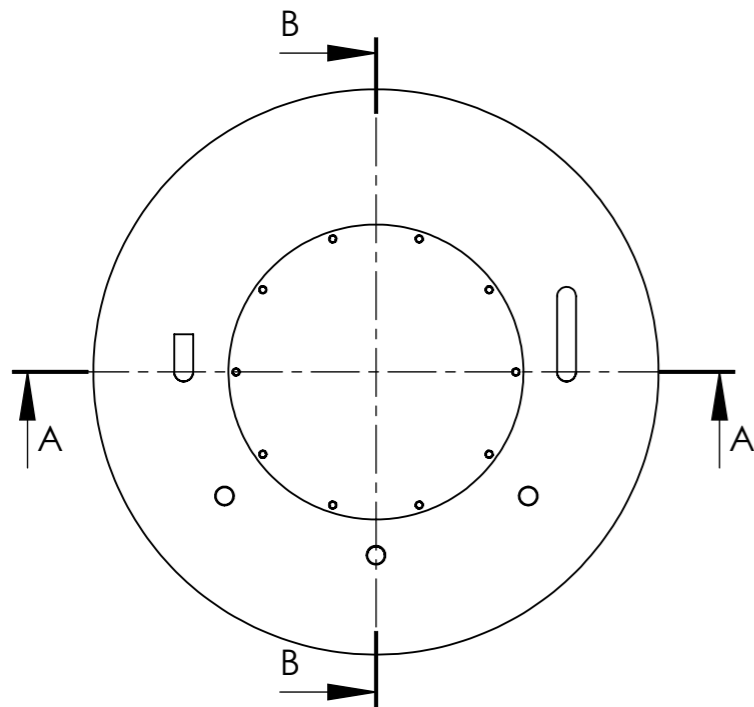
SECTION A-A



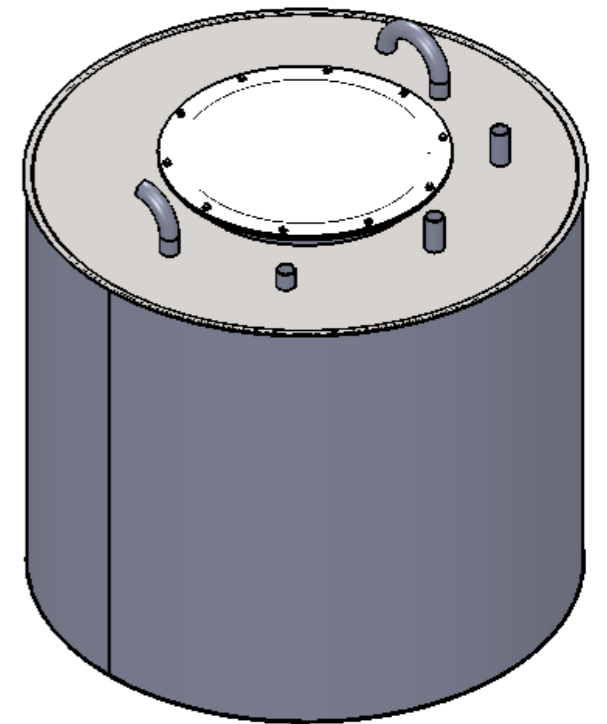
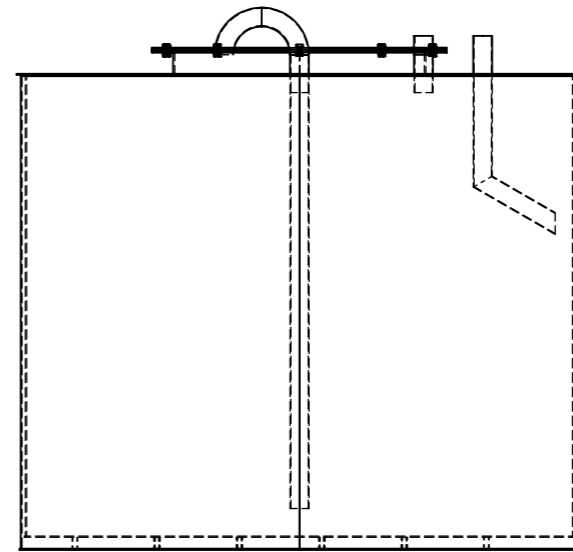
DETAIL C
SCALE 1:1



DETAIL D
SCALE 1:2



SECTION B-B



ITEM NO.	PART NUMBER	DESCRIPTION	QTY.
1	YtterCistern 2000Liter		1
2	InnerCistern 2000Liter		1

UNLESS OTHERWISE SPECIFIED: DIMENSIONS ARE IN MILLIMETERS		FINISH:		DEBUR AND BREAK SHARP EDGES		DO NOT SCALE DRAWING		REVISION	
SURFACE FINISH:									
TOLERANCES:									
LINEAR:									
ANGULAR:									
DRAWN		NAME	SIGNATURE	DATE			TITLE:		
CHK'D							Sammanställning		
APPV'D									
MFG							DWG NO: Cistern 2000Liter		
Q.A					MATERIAL:		A3		
					WEIGHT:		SCALE:1:20		SHEET 1 OF 4